

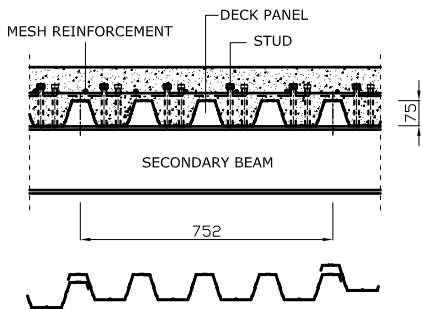
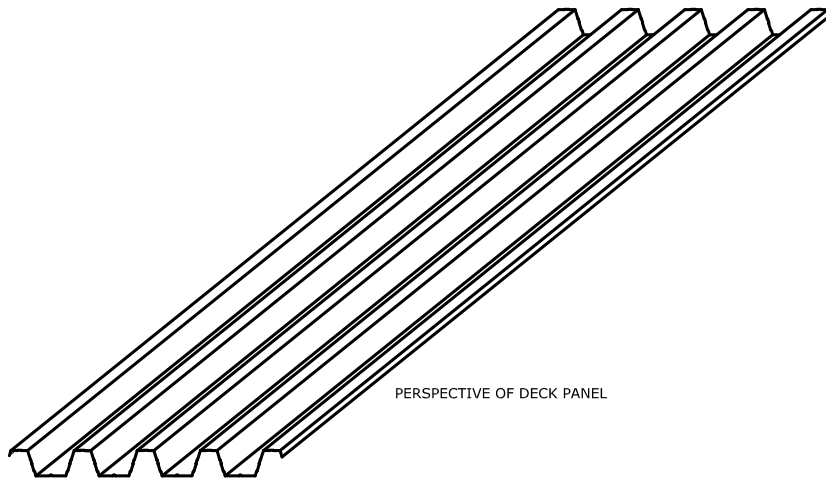
# DECK PANEL INSTALLATION DETAIL

*Sepa*

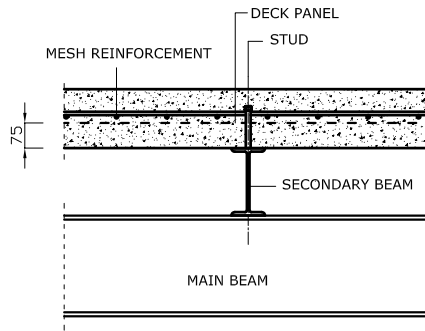
Page no:

1/2

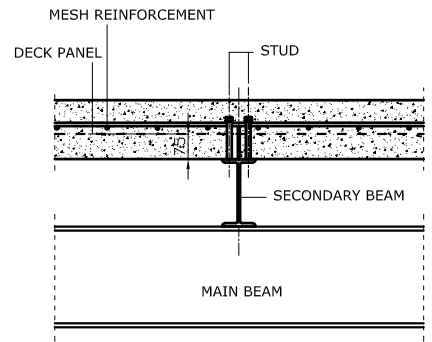
## A-A, B-B, C-C CROSS SECTION



A-A CROSS SECTION



B-B CROSS SECTION



C-C CROSS SECTION

(DECK PANEL SPLICE DETAIL)

\* Details are intended for information and suggestion and may vary depending on project.