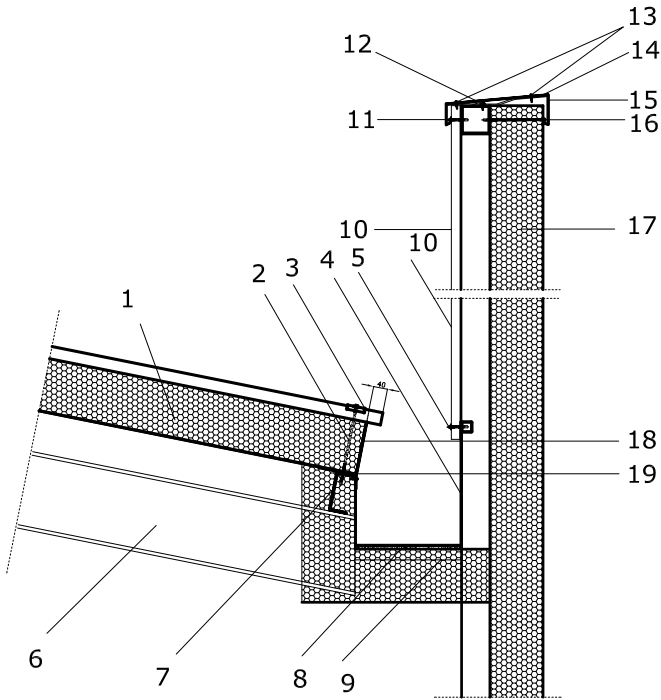


SANDWICH PANEL INSTALLATION DETAILS

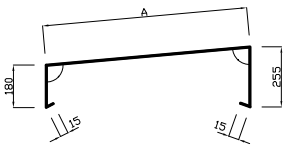
Page no: 1/15

19-19 DETAIL



NO	MATERIAL CODE	MATERIAL
1		Rockwool sandwich panel
2		Ø5,5x.....mm Self tapping screw
3		Saddle
4		Rain gutter (It will be produced from no:12 zinc)
5		Ø5,5 x 60 mm Self tapping screw
6		Steel supporter beam
7		Purlin (Secondary beam)
8		12 mm Cemented chipboard rain gutter base
9		40x40x2 box profile with intervals of 800 mm
10		38/151 corrugated sheet thickness of 0,5 mm
11		Ø5,5 x 60 mm Self tapping screw
12		Ø5,5 x 40 mm Self tapping screw
13		Ø2,9 x 19 mm Self tapping screw
14		Parapet head installation bar
15		Parapet sheet thickness of 0,7 mm
16		Ø5,5x.....mm self tapping screw
17		Rockwool sandwich panel
18		Facade cladding sheet
19		Double sided adhesive strip

NO15 : COATED PARAPET SHEET

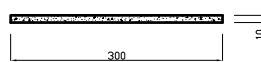


NO14 : PARAPET SHEET INSTALLATION BAR

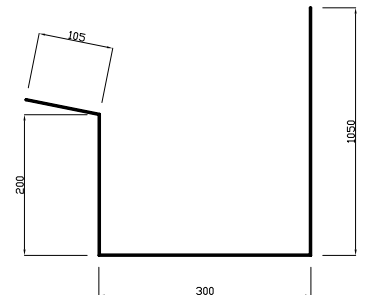


NOT: IT WILL BE PRODUCED FROM 40X4mm SHEET BAR AND INSTALLED WITH INTERVALS OF 500mm

NO8 : CEMENTED CHIPBOARD



NO4 : NO:12 ZINC GUTTER



* Details are intended for information and suggestion and may vary depending on project.